
First Solar FS Series Module Clip Compatibility

Compatibility VM Edelstahltechnik Mono Modulclip with FS Series 2 Modules

Mounting clips used with First Solar FS Series 2 module laminates must comply with the minimum technical and mechanical requirements for mounting systems required by First Solar (as described in First Solar document PD-5-320). In addition, the clip must satisfy the requirements of the First Solar mechanical load Test according to procedures defined in IEC61646 Ed. 1 10.15/16.

Release of VM Edelstahltechnik Mono Modulclip

The VM Edelstahltechnik Mono Modulclip in conjunction with FS Series 2 module laminates has successfully met the First Solar mechanical load test. The proposed mounting system design in conjunction with FS Series 2 module laminates also meets the technical requirements concerning clip design that are specified in document PD-5-320 (see Figure 1,2 below).

Therefore, the VM Edelstahltechnik Mono Modulclip in conjunction with FS Series 2 module laminates is approved for use as long as the mounting system complies with First Solar's technical and mechanical requirements for mounting systems, as described in document PD-5-320.

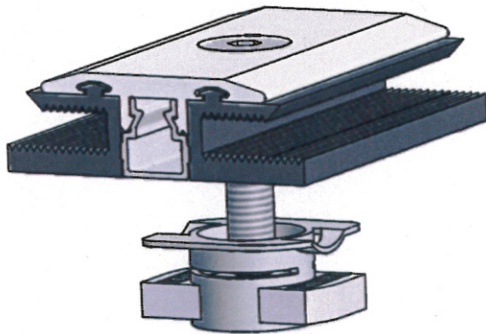


Figure 1: Mono Mid Clip

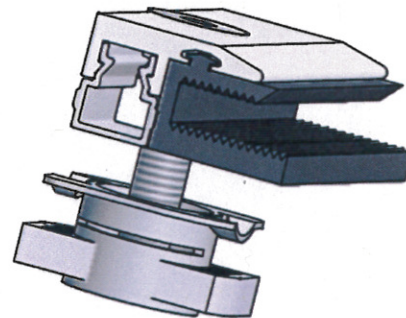


Figure 2: Mono End Clip



Jörgen Klammer
Product Manager - Europe